



8 POINT
MICRO-
ADJUSTMENT

BT8390-VESA400MAP SYSTEM X™ UNIVERSAL POP-OUT INTERFACE ARMS WITH MICRO-ADJUSTMENT FOR MEDIUM / LARGE SCREENS



Ideal for assembling video walls and other multi-screen applications, these interface arms are designed to mount medium to large sized screens on to System X horizontal mounting rails, providing a solution with easy pop-out access to aid installation and screen maintenance. The universal design is compatible with all video wall screens and the modular design allows an almost endless number of configurations to be assembled, in both landscape or portrait orientations. Tool-less 8 point micro-adjustment allows perfect alignment of displays and a mounted depth of 126mm from the wall allows easy access for cables and connectors.

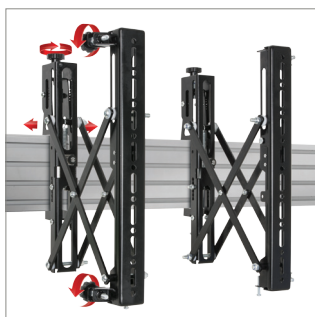


SPECIFICATION	
Recommended screen size	42" - 65"
Max load	50kg
VESA® & non-VESA fixings	up to 400mm* (vertical dimension)
Depth (typical wall mounted install)	126mm
Depth Popped-Out (typical wall mounted install)	300mm
Colour	Black
Supplied in pairs	

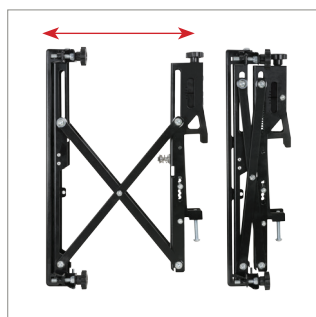
*The VESA specification of the BT8390-VESA400MAP refers to the vertical dimension only. All System X interface arms can be positioned as far along the rail as necessary.

FEATURES

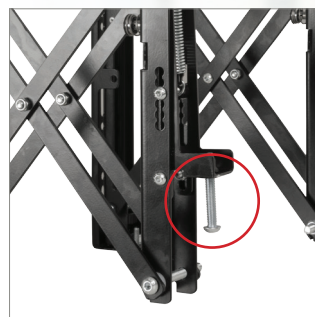
- Part of the System X range for use in a variety of applications
- Ideal for video walls and other multi-screen installations
- Push to open / push to close system provides quick and easy service access
- Perfect solution for mounting screens into a recessed wall
- Universal design compatible with most screens
- Suitable for landscape or portrait mounting
- High-end aesthetic quality
- Tool-less 8 point micro-adjustment for seamless display alignment
- Lateral adjustment - position arms anywhere along the length of the rail
- Includes locking screw to prevent accidental pop-out of release mechanism
- Safety screws help prevent unauthorised removal of screens
- Simple 'hook-on' installation
- All mounting hardware included



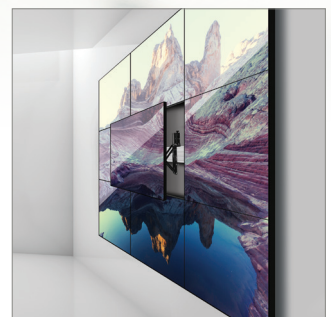
Tool-less 8 point micro-adjustment for seamless display alignment



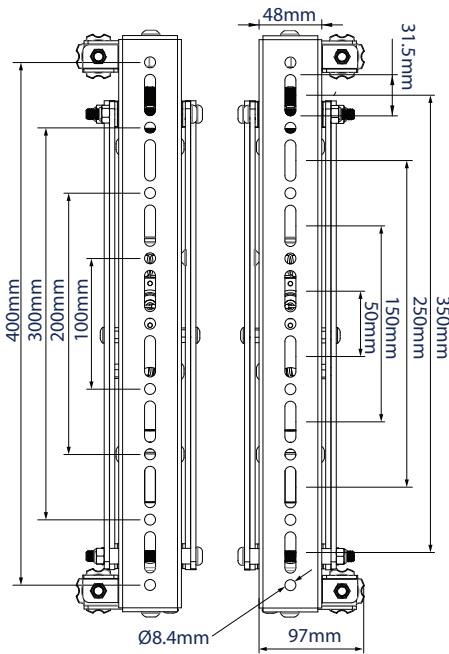
Push to open / push to close system provides quick and easy service access



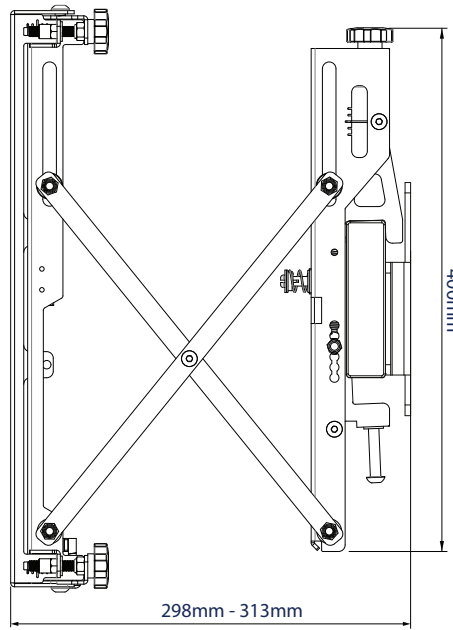
Safety screws help prevent unauthorised removal of screens



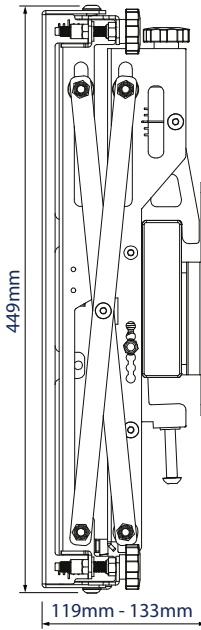
Suitable for landscape or portrait mounting



FRONT VIEW



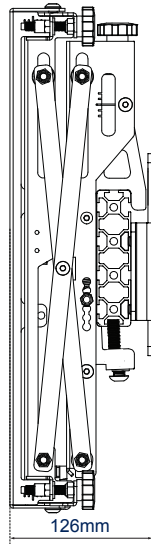
SIDE VIEW - EXTENDED



SIDE VIEW - CLOSED

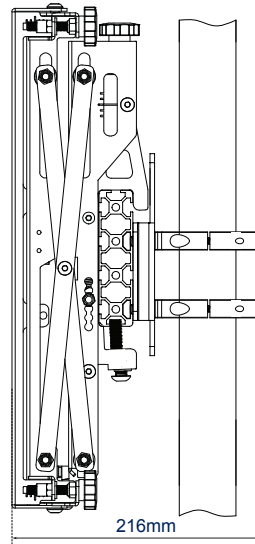
TYPICAL INSTALLATIONS

WALL MOUNTED*



POLE MOUNTED*

Please note the pole must be fixed at both ends in a floor-to-ceiling configuration



PACKING INFORMATION

*Please note all other components shown in the technical drawings are available separately.

COLOUR:	ORDER REF:	EAN CODE:	MASTER CARTON QTY:	INNER CARTON QTY:	MASTER CARTON WEIGHT:	MASTER CARTON CUBE:
Black	BT8390-VESA400MAP/B	5019318501609	1	0	7kg	0.018cbm

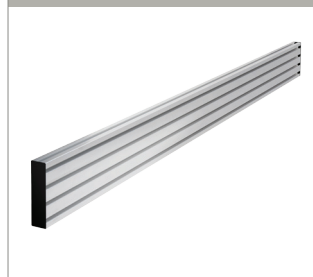
ACCESSORIES AND RELATED PRODUCTS

BT7564



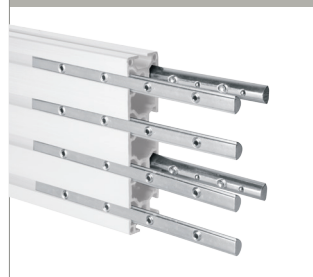
Interface Adaptor Arms for VESA 600 x 400 can be used with VESA 200 or 400 arms to increase the maximum vertical fixings to 600mm for larger screens

BT8390-030/050/070/150/175/200



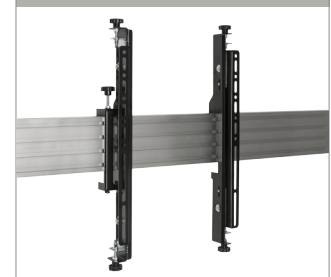
Mounting Rails can be fixed to columns, walls or poles using System X components

BT8390-EXT



Extension Kits combine mounting rails together to create longer installations

BT8390-VESA400MAF



VESA 400 Interface Arms with Micro-Adjustment Can be used in conjunction with BT8390-VESA400MAP arms to create a cost effective video wall mount

© 2019 B-Tech Mounts Ltd. All rights reserved. The information in this specification is subject to change without notice. B-Tech Mounts Ltd. is not responsible for any damage caused by improper installation or use. B-Tech Mounts Ltd. is not responsible for any damage caused by improper installation or use. B-Tech Mounts Ltd. is not responsible for any damage caused by improper installation or use. B-Tech Mounts Ltd. is not responsible for any damage caused by improper installation or use.